

10-8..8mm WTB (TJC1) Series Connector:

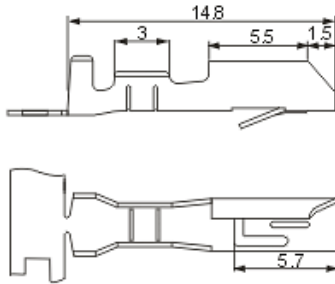


SPECIFICATIONS

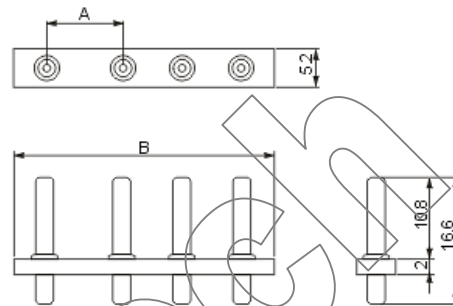
Pitch:	10-8.0-8.0...8.0 mm
Useable Wire Range:	AWG 26# ~ 20#
Current Rating:	5A, AC, DC
Voltage Rating:	250V, AC, DC
Operating Temperature:	-25°C ~+85°C
Relative Humidity:	93%, +40°C
Dielectric Withstanding:	1500V AC/minute
Contact Resistance:	≤ 10 mΩ/Contact
Insulator Resistance:	≥ 1000 MΩ at 100V
Material:	
Base:	Nylon66/ Nylon6T, UL94V-0
Contact Pin:	Brass
Housing:	Nylon66, UL94V-0
Terminal:	Phosphor Bronze

ROHS Compliance

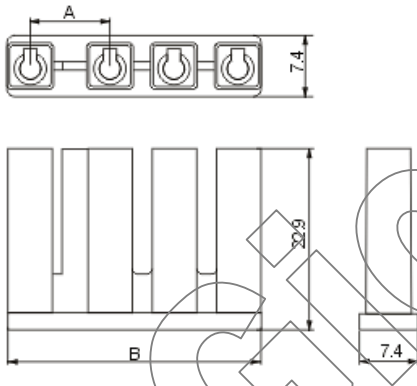
TJC1-T



TJC1-XA



TJC1-XY



Circuit	Part No.		Dimensions (mm)	
			A	B
2	TJC1-2Y	TJC1-2A	10.00	18.00
3	TJC1-3Y	TJC1-3A	18.00	26.00
4	TJC1-4Y	TJC1-4A	26.00	34.00
5	TJC1-5Y	TJC1-5A	34.00	42.00
6	TJC1-6Y	TJC1-6A	42.00	50.00